

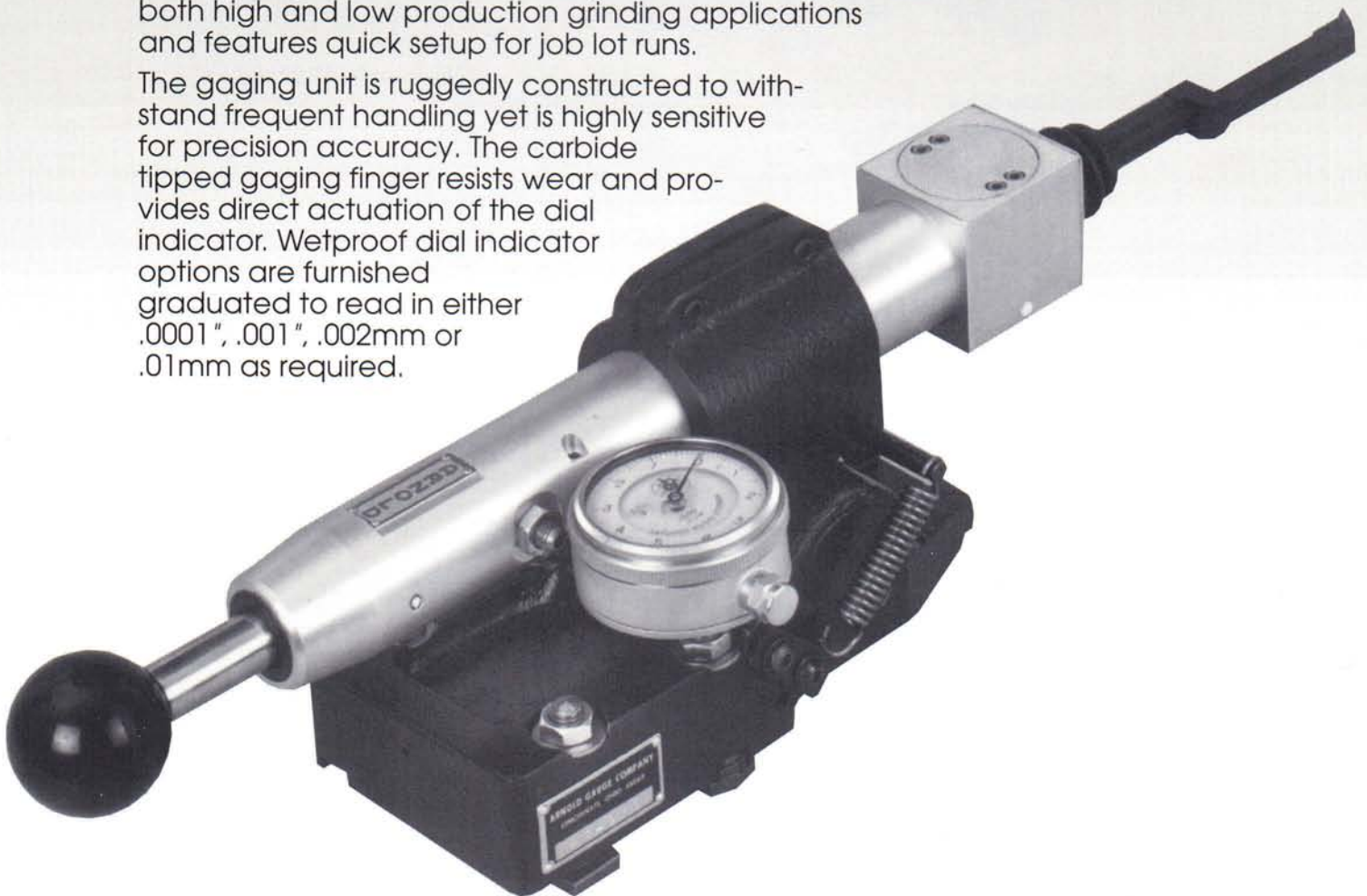
# ARNOLD

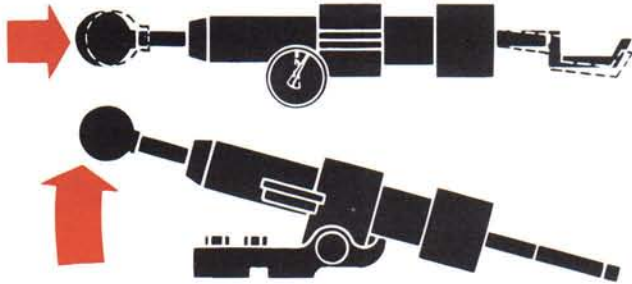
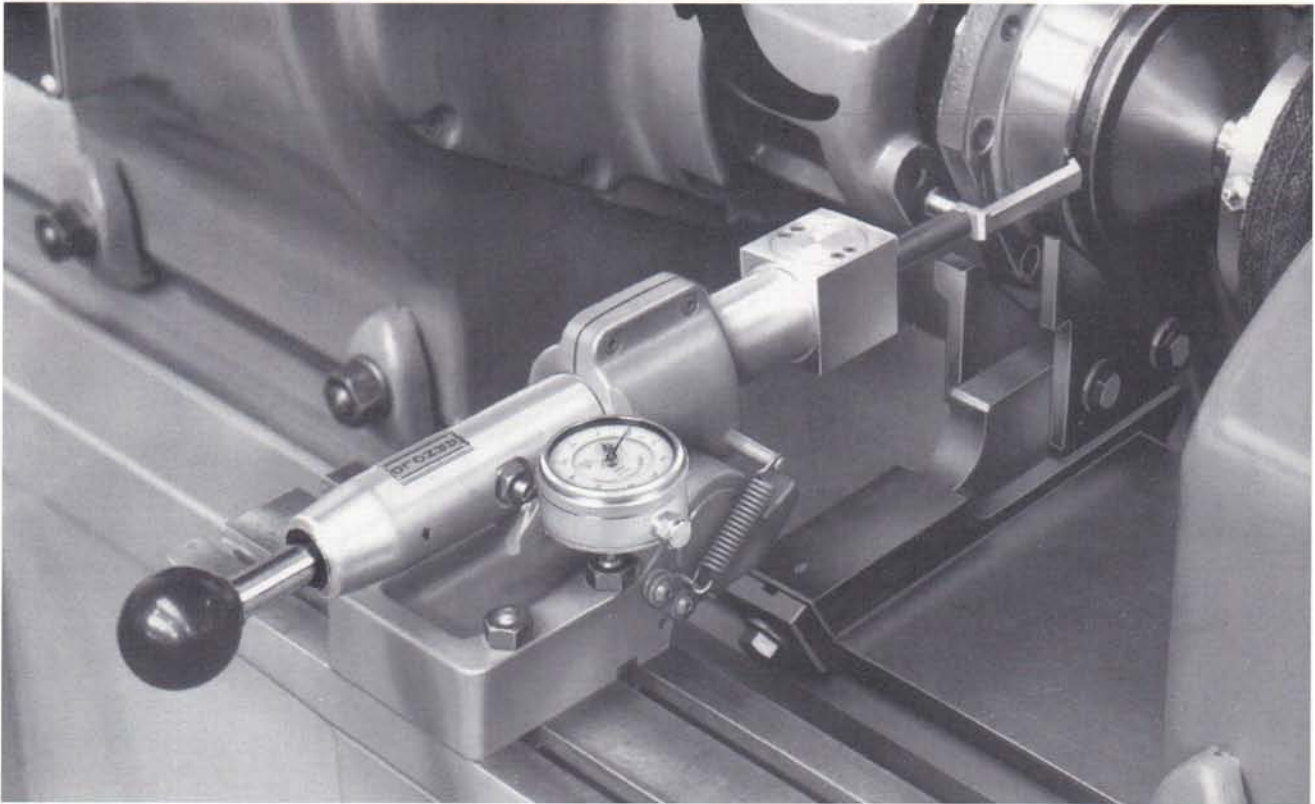
## Hand Flagging Gage

- Accurately locates axial workpiece position for production grinding
- Reduces setup time on job lot runs
- Mounts on plain or angular slide cylindrical grinders
- Operates single handedly
- Tilts down to facilitate workpiece unloading
- Easily repositioned for various lengths and diameters
- Built for extended life

Used for gage location of a shoulder or face in grinding to a predetermined dimension, the Arnold Hand Flagging Gage is readily adapted to any plain or angular slide cylindrical grinder. It is ideally suited to both high and low production grinding applications and features quick setup for job lot runs.

The gaging unit is ruggedly constructed to withstand frequent handling yet is highly sensitive for precision accuracy. The carbide tipped gaging finger resists wear and provides direct actuation of the dial indicator. Wetproof dial indicator options are furnished graduated to read in either .0001", .001", .002mm or .01mm as required.





Manually operated, the unit requires no electrical or pneumatic connections. A machine mounted bracket (customer furnished) supports a tee slotted platen surface on which the gaging unit is positioned. A locating key and four tee bolts secure the unit in position outside the grinding area.

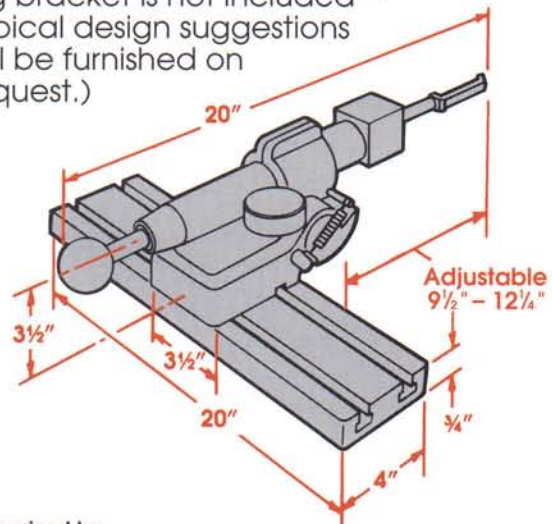
Single handed operation is fast and easy. Pushing in on the ball knob retracts the carbide tipped gaging finger approximately  $\frac{1}{8}$ " ; raising the ball knob tilts the unit down providing ample clearance for changing the workpiece.

#### STANDARD EQUIPMENT

The Arnold Hand Flagging Gage is furnished complete with gaging finger, actuating mechanism, tilt base and dial indicator graduated to read in either .0001", .001", .002mm or .01mm. Net weight-15 lbs.

#### OPTIONAL

Tee slotted platen (Note! Machine mounting bracket is not included— Typical design suggestions will be furnished on request.)



Manufactured - Sold - Serviced by:



# ARNOLD GAUGE COMPANY

9823 Harwood Ct. / Fairfield, Ohio 45014 / Tel. (513) 942-GAGE (4243) / FAX (513) 942-2877